



## **U.S. PRICE LIST**

# **COMPACT EXCAVATORS**

**REVISION 34**

**EFFECTIVE: January 1, 2022**

THIS IS AN ELECTRONIC COPY ONLY – HARD COPIES WILL NOT BE DISTRIBUTED.

The prices included in this revision supersede any prices established prior to the effective date shown unless specifically identified in a price bulletin as superseding this price list.

Below is a list of Family(s) and Model(s) that are included in this price list.

Compact Excavators  
E17C E37C  
E26C E57C  
E30C E60C

PLEASE NOTE: Retain the price book pages of the discontinued series for your records.

**Copyright 2021 By**

**CNH Industrial America LLC**



# INDEX

## Compact Excavator Line Price & Data Pages

<u>EQUIPMENT DESCRIPTION</u>	<u>PAGE</u>
<b><u>Compact Excavators</u></b>	
E17C CANOPY	3
E26C	8
E30C	15
E37C	22
E57C CAB	29
E60C CAB	37
Service Parts DIA Kit List	46
Appendix A Bucket & Coupler Knowledge Guide	47

<b>E17C COMPACT EXCAVATOR US PRICE LIST</b>
---

## Standard Equipment

**ENGINE:**

Kubota D902 3 Cyl. water-cooled, mechanical injection diesel  
 54.8 CID (0.898L)  
 Tier 4 Final  
 Glow plugs  
 Horsepower:  
 Gross 16.8 HP (12.5 Kw)@2,300 RPM  
 Maximum Engine Torque:  
 39.49 lb ft (53.54 Nm)@1900 RPM  
 Dry type air cleaner

**OPERATOR PROTECTIVE STRUCTURE:**

**ROPS/FOPS:**  
 Two post canopy design  
**Sound levels:**  
 ISO 6396:2008 sound pressure level LpA=76dB(A)  
 Mechanical Suspension seat, with seat belt  
 Pilot operated joysticks for boom, arm bucket, and swing with adjustable wrist rests  
 Foot pedal for swing tower control

**Gauges:**

Engine Coolant Temperature and Fuel level

**Indicator Lights:**

Engine oil pressure, coolant temperature, battery charge, low fuel warning, engine preheat, Air cleaner warning, Hyd. quick coupler lock, and high travel speed

**ELECTRICAL:**

12 Volt electrical starting system includes heavy-duty battery and starting motor  
 40 Amp Alternator  
 Battery Master Switch  
 Key Start  
 Anti-Theft-Engine starting passwords  
 Dual 12V power plug recepticals  
 Front working Light  
 Pre-wired telematics ready

**BLADE:**

Hydraulically controlled dozer blade with adjustable width

**UNDERCARRIAGE:**

Variable undercarriage (3'3" to 4'3")  
 Track pad width: 9" (230 mm)  
 Track length: 5'3" (1590 mm)  
 Gradeability: 30 degrees  
 Ground Clearance: 6.7" (170 mm)

**TRACK DRIVE:**

Two speed Auto shift travel  
 Fully hydrostatic drive system  
 Track tension adjustment(grease type)  
 Sealed and lubricated track

**HYDRAULICS:**

Control pattern selector valve  
 Hydraulic oil filter  
 Total Auxiliary Flow:  
 7.2 gpm @ 2,466 psi  
 (27.4 L/min @ 170 bar)  
 Main Pump: 2,990 PSI  
 Auxiliary piping capped at end of dipper  
 Proportional auxiliary hydraulic flow control  
 Selector valve for single or two way aux flow  
 Large capacity hydraulic oil cooler  
 Cylinder rod protection covers  
 -Dozer, Boom, Arm, & Bucket

**UPPER:**

Standard Arm: 3'2" (0.96 m)  
 Optional Long Arm: 3'8" (1.12 m)  
 Boom: 5'11" (1.8 m)  
 Boom Swing: 70° left / 54° right  
 Zero Tail Swing

**MISCELLANEOUS:**

Operating weight:  
 Canopy, short arm-3,750 lb (1700kg)  
 Canopy, Long arm with additional counterweight-3,950 lbs.(1790 kg)  
 Additional Counterweight - 180 lbs

**WARRANTY - Base Warranty coverage:**

2-Year/3,000-Hour Full Machine Limited Warranty

**SHIPPING POINT:**

Port of Entry



**E17C COMPACT EXCAVATOR  
US PRICE LIST**

**Standard Equipment**



**E17C COMPACT EXCAVATOR  
US PRICE LIST**

**Models**

COMMERCIAL MODEL	BRAND	Weight	Factory Data	List Price
E17C	New Holland CE	7,672 LB		\$40,044.00

Packet	Description		Weight	Factory Data	List Price
LONG ARM PACK					\$658.00
SD_30180-TRAVEL ALARM		Travel Alarm			
SD_40003-COUNTERWEIGHT		Additional Counterweight.			
SD_X5406-1ST AUX HYD TWO WAYS		2Way Aux Joystick Proportional			
SD_X6100-ARM		Long Arm - 747329			
SD_X6207-HYDR Q/C PROV.		W/O Q/C Provision			
SHORT ARM PACK					\$171.00
SD_30180-TRAVEL ALARM		Travel Alarm			
SD_40003-COUNTERWEIGHT		Standard Counterweight.			
SD_X5406-1ST AUX HYD TWO WAYS		2Way Aux Joystick Proportional			
SD_X6100-ARM		Short Arm - 747320			
SD_X6207-HYDR Q/C PROV.		W/O Q/C Provision			



**E17C COMPACT EXCAVATOR  
US PRICE LIST**

**Factory Supplied Options**

Order Code	Description	Weight	Factory Data	List Price
------------	-------------	--------	--------------	------------

**OPERATOR STRUCTURE**

SD\_10181 CRAWLER TYPE

	9552700	Rubber Tracks		No Charge
--	---------	---------------	--	-----------

**ADDITIONAL EQUIPMENT**

SD\_30180 TRAVEL ALARM

	747453	Travel Alarm		\$171.00
	747994	W/O Travel Alarm		No Charge

SD\_40003 COUNTERWEIGHT

	747995	Standard Counterweight.		No Charge
	747996	Additional Counterweight. <b>Additional bolt-on weight that adds 180 lb (82 kg)</b>		\$150.00

SD\_X5406 1ST AUX HYD TWO WAYS

	747054	2Way Aux Pedal Proportional		No Charge
	747055	2Way Aux Joystick Proportional		No Charge

SD\_X5413 AUX WORKING LIGHTS

	747242	LED Working Lights		\$103.00
	747243	STD Halogen Working		No Charge

SD\_X6100 ARM

	747320	Short Arm - 747320 <b>Please refer to the standard pages for arm lengths</b>		No Charge
	747329	Long Arm - 747329 <b>Please refer to the standard pages for arm lengths</b>		\$337.00

SD\_X6207 HYDR Q/C PROV.

	747064	Hydraulic Q/C Provision		\$515.00
	747065	W/O Q/C Provision		No Charge

SD\_X6210 BEACON

	747087	W/O - Beacon		No Charge
--	--------	--------------	--	-----------

**E17C COMPACT EXCAVATOR  
US PRICE LIST**
**Factory Supplied Attachments**

Order Code	Description	Weight	Factory Data	List Price
------------	-------------	--------	--------------	------------

**KLAC Buckets & Coupler**

47422586	10" HD Bucket (KLAC Coupler) Always reference model lifting capacities when configuring units with attachments	88 LB		\$554.00
47422587	12" HD Bucket (KLAC Coupler) Always reference model lifting capacities when configuring units with attachments	95 LB		\$583.00
47422588	16" HD Bucket (KLAC Coupler) Always reference model lifting capacities when configuring units with attachments	106 LB		\$641.00
47422589	18" HD Bucket (KLAC Coupler) Always reference model lifting capacities when configuring units with attachments	117 LB		\$715.00
47422602	KLAC Base Plate (To adapt other buckets) Always reference model lifting capacities when configuring units with attachments	11 LB		\$260.00
48057632	Coupler (Compatible with both B/C - Series KLAC buckets) Always reference model lifting capacities when configuring units with attachments.	13 LB		\$926.00

**Pin-On/Mech. Buckets & Coupler**

48057605	10"HD Bucket (Pin-on/Mechanical Coupler) Always reference model lifting capacities when configuring units with attachments	79 LB		\$389.00
48057606	12"HD Bucket (Pin-on/Mechanical Coupler) Always reference model lifting capacities when configuring units with attachments	86 LB		\$419.00
48057607	16"HD Bucket (Pin-on/Mechanical Coupler) Always reference model lifting capacities when configuring units with attachments	97 LB		\$477.00
48057608	18"HD Bucket (Pin-on/Mechanical Coupler) Always reference model lifting capacities when configuring units with attachments	106 LB		\$551.00
48057609	Coupler Only compatible with C - series buckets Includes 1 set of dead pins for installation into a single bucket Always reference model lifting capacities when configuring units with attachments.	29 LB		\$1,676.00
48057610	Dead Pin Kit (for additional buckets) Required when ordering more than 1 bucket with a Pin-Grabber Coupler (1 SET INCLUDED W/MECH COUPLER)	5 LB		\$174.00

<b>E26C COMPACT EXCAVATOR</b> <b>US PRICE LIST</b>
---

## Standard Equipment

**ENGINE:**

Kubota D1305 3 Cyl. water-cooled, mechanical injection diesel  
 77.0 CID (1.261L)  
 Tier 4 Final  
 Glow plugs  
 Horsepower:  
     Gross 24.8 HP (18.5 Kw)@2,400 RPM  
 Maximum Engine Torque:  
 60.0 lb ft (81.4 Nm)@1600 RPM  
 Dry type air cleaner dual element

**OPERATOR PROTECTIVE STRUCTURE:****ROPS/FOPS:**

Four post canopy design  
 Sound levels:  
 ISO6396:2008 sound pressure level  
 LpA=77dB(A)  
 Mechanical Suspension seat, with 2" seat belt  
 Pilot operated joysticks for boom, arm bucket, and swing with adjustable wrist rests  
 Foot pedals for travel control and swing Tower control

**Gauges:**

Engine Coolant Temperature and Fuel level

**Indicator Lights:**

Engine oil pressure, coolant temperature, battery charge, low fuel warning, engine preheat, Air cleaner warning, Hyd. quick coupler lock, and high travel speed

**ELECTRICAL:**

12 Volt electrical starting system includes heavy-duty battery and starting motor  
 40 Amp Alternator  
 Battery Master Switch  
 Key Start  
 Anti-Theft-Engine starting passwords  
 Dual 12V power plug recepticals  
 Front working Light  
 Pre-wired telematics ready

**BLADE:**

Hydraulically controlled dozer blade

**UNDERCARRIAGE:**

Rubber tracks  
 Track pad width: 9.8" (250 mm)  
 Track length: 6'3" (1910 mm)  
 Gradeability: 30 degrees  
 Ground Clearance: 11" (290 mm)

**TRACK DRIVE:**

Two speed Auto shift travel  
 Fully hydrostatic drive system  
 Track tension adjustment (grease type)  
 Sealed and lubricated track

**HYDRAULICS:**

Control pattern selector valve  
 Hydraulic oil filter  
 Total Auxiliary Flow:  
     12.5 gpm @ 2,538 psi  
 Main Pump: 3,130 PSI  
 Auxiliary piping capped at end of dipper  
 Proportional auxiliary hydraulic flow control  
 Selector valve for single or two way aux flow  
 Large capacity hydraulic oil cooler  
 Cylinder rod protection covers  
 -Dozer & Boom

**UPPER:**

Standard Arm w/thumb bracket:  
     3'8" (1.12 m)  
 Optional Long Arm w/thumb bracket:  
     4'5" (1.35 m)  
 Boom: 6'5" (1.95 m)  
 Boom Swing: 75° left / 50° right  
 Zero Tail Swing  
 Bucket Linkage with lifting hook

**MISCELLANEOUS:**

Operating weight:  
     Canopy short arm-5,360 lbs.(2430kg)  
     Canopy, long arm, additional counterweight-5,670 lbs(2570 kg)  
     Additional Counterweight-286 lbs

**WARRANTY: Base Warranty Coverage**

2-Year/3,000-Hour Full Machine Limited





**E26C COMPACT EXCAVATOR  
US PRICE LIST**

**Standard Equipment**

Warranty

SHIPPING POINT: Port of Entry



**E26C COMPACT EXCAVATOR  
US PRICE LIST**

**Models**

COMMERCIAL MODEL	Weight	Factory Data	List Price
E26C	8,300 LB		\$48,662.00

**E26C COMPACT EXCAVATOR  
US PRICE LIST**
**Factory Supplied Options**

Order Code	Description	Weight	Factory Data	List Price
------------	-------------	--------	--------------	------------

**OPERATOR STRUCTURE**

## SD\_10181 CRAWLER TYPE

Order Code	Description	Weight	Factory Data	List Price
9552700	Rubber Tracks <b>One-piece molded rubber belt track with a steel cable core. The entire track must be replaced at time of service. Select this track for general use on soils and hard surfaces.</b>			No Charge

**ROPS/CAB**

## SD\_05127 CAB

Order Code	Description	Weight	Factory Data	List Price
747238	CAB 747238			\$6,139.00
747239	CANOPY 747239			No Charge

**ADDITIONAL EQUIPMENT**

## SD\_X5405 2ND AUX. CIRCUIT

Order Code	Description	Weight	Factory Data	List Price
747053	2nd Aux 2-Way Proportional			\$1,949.00
747999	W/O 2nd Aux 2-Way Proportional			No Charge

## SD\_X5406 1ST AUX HYD TWO WAYS

Order Code	Description	Weight	Factory Data	List Price
747054	2Way Aux Pedal Proportional			No Charge
747055	2Way Aux Joystick Proportional			No Charge

## SD\_X6105 DOZER BLADE OPTION

Order Code	Description	Weight	Factory Data	List Price
747240	STD DOZER BLADE 747240			No Charge

## SD\_X6206 LINKAGE

Order Code	Description	Weight	Factory Data	List Price
747062	Linkage With Hook			No Charge
747063	Linkage Without Hook			(\$63.00)

## SD\_X6207 HYDR Q/C PROV.

Order Code	Description	Weight	Factory Data	List Price
747064	Hydraulic Q/C Provision <b>Includes switch &amp; hydraulic lines to end of arm</b>			\$515.00
747065	W/O Q/C Provision			No Charge



**E26C COMPACT EXCAVATOR  
US PRICE LIST**

**COUNTERWEIGHTS**

SD\_40003 COUNTERWEIGHT

	747995	Standard Counterweight.			No Charge
	747996	Additional Counterweight. <b>Additional bolt-on weight that adds: 286 lb (130 kg) on E26C models 330 lb (150 kg) on E37C models</b>			\$213.00

**ADDITIONAL EQUIPMENT**

SD\_30180 TRAVEL ALARM

	747453	Travel Alarm			\$213.00
	747994	W/O Travel Alarm			No Charge

SD\_X5413 AUX WORKING LIGHTS

	747241	Add Halogen Working			No Charge
	747242	LED Working Lights			\$155.00

SD\_X6100 ARM

	747078	Arm Short w/Thumb Bracket <b>Please refer to the standard pages for arm lengths</b>			No Charge
	747079	Arm Long w/Thumb Bracket <b>Please refer to the standard pages for arm lengths</b>			\$337.00

SD\_X6210 BEACON

	747070	Beacon			\$288.00
	747087	W/O - Beacon			No Charge

**E26C COMPACT EXCAVATOR  
US PRICE LIST**
**Factory Supplied Attachments**

Order Code	Description	Weight	Factory Data	List Price
------------	-------------	--------	--------------	------------

**KLAC Buckets & Coupler**

48094116	12"HD Bucket (KLAC Coupler) Always reference model lifting capacities when configuring units with attachments.	143 LB		\$571.00
48094117	18"HD Bucket (KLAC Coupler) Always reference model lifting capacities when configuring units with attachments.	176 LB		\$644.00
48094118	24"HD Bucket (KLAC Coupler) Always reference model lifting capacities when configuring units with attachments.	209 LB		\$824.00
47422632	KLAC Base Plate (To adapt other buckets) Always reference model lifting capacities when configuring units with attachments.	20 LB		\$311.00
48057633	Coupler, KLAC Always reference model lifting capacities when configuring units with attachments.	71 LB		\$1,203.00

**Pin-On/Mech. Buckets & Coupler**

48057611	12"HD Bucket (Mech/Hyd Coupler) Always reference model lifting capacities when configuring units with attachments.	121 LB		\$569.00
48057612	18"HD Bucket (Mech/Hyd Coupler) Always reference model lifting capacities when configuring units with attachments.	154 LB		\$680.00
48057613	24"HD Bucket (Mech/Hyd Coupler) Always reference model lifting capacities when configuring units with attachments.	185 LB		\$870.00
48057615	Coupler, Mechanical Pin-Grabber Only compatible with C-Series bucket Always reference model lifting capacities when configuring units with attachments.	95 LB		\$1,679.00
47457879	Dead Pin Kit Required when ordering more than 1 bucket with a Pin-Grabber Coupler 1 SET INCLUDED W/MECH AND HYD COUPLERS	8 LB		\$194.00
48094307	Coupler,Hydraulic Pin-Grabber Compatible with both the B and C series buckets. When used with a B-series bucket, it requires the removal of the spacer plates. Includes 1 set of dead pins for installation into a single bucket Always reference model lifting capacities when configuring units with attachments. Hydraulic Q/C Prov 747064 is required to power hydraulic coupler.	99 LB		\$3,697.00



**E26C COMPACT EXCAVATOR  
US PRICE LIST**

**Thumbs**

	48058019	Thumb Kit, Hyd., Short Tines FOR E26C USE W/DIRECT FIT, KLAC BUCKETS AND MECH PIN-GRABBER COUPLER FOR E30C USE WITH KLAC BUCKETS AND MECH PIN-GRABBER COUPLER Always reference model lifting capacities when configuring units with attachments.	150 LB		\$2,455.00
	48094114	Thumb Kit, Hyd., Long Tines For E26C - USE W/HYD PIN-GRABBER COUPLER ONLY For E30C - USE WITH PIN-ON BUCKETS & HYD PIN-GRABBER COUPLER Always reference model lifting capacities when configuring units with attachments.	150 LB		\$2,455.00

**E30C COMPACT EXCAVATOR  
 US PRICE LIST**

**Standard Equipment**

**ENGINE:**

Kubota D1305 3 Cyl. water-  
 cooled, mechanical injection diesel  
 77.0 CID (1.261L)  
 Tier 4 Final  
 Glow plugs  
 Horsepower:  
 Gross 24.8 HP (18.5 kW)/2300  
 Net 23.2 HP (17.3 kW)/2300  
 Maximum Engine Torque:  
 60.0 lb ft (81.4 Nm) @ 1600 rpm  
 Dry type air cleaner dual element

**OPERATOR PROTECTIVE STRUCTURE:**

**Sound Levels:**

ISO 6396:2008 sound pressure  
 level LpA=73.5dB (A)

**ROPS/FOPS:**

Four post canopy design  
 Mechanical suspension seat, with  
 2" seat belt  
 Pilot operated joysticks for boom, arm  
 bucket, and swing with adjustable  
 wrist rests  
 Foot pedals for travel control and  
 swing tower control

**Gauges:**

Engine coolant temperature and fuel  
 level

**Indicator Lights:**

Engine oil pressure, coolant  
 temperature, battery  
 charge, low fuel warning, engine  
 preheat, air cleaner warning,  
 hyd. quick coupler  
 lock, and high travel speed

**ELECTRICAL:**

12 Volt electrical starting system  
 includes heavy-duty battery and  
 starting motor  
 40 Amp Alternator  
 Battery Master Switch  
 Key Start  
 Anti-Theft-Engine starting passwords  
 Dual 12V power plug recepticals  
 Front working light

Pre-wired telematics ready

**BLADE:**

Hydraulically controlled dozer blade

**UNDERCARRIAGE:**

Rubber tracks  
 Track pad width: 11.8" (250 mm)  
 Track length: 6'6" (1910 mm)  
 Gradeability: 30 degrees  
 Ground Clearance: 11" (290 mm)

**TRACK DRIVE:**

Two speed Auto shift travel  
 Fully hydrostatic drive system  
 Track tension adjustment  
 (grease type)

Sealed and lubricated track

**HYDRAULICS:**

Control pattern selector valve  
 Hydraulic oil filter  
 Total Auxiliary Flow:  
 12.5 gpm @ 2,538 psi  
 (47.2 L/min @ 175 bar)  
 Main Pump: 3,130 PSI  
 Auxiliary piping capped at end of dipper  
 Proportional auxiliary hydraulic flow  
 control  
 Selector valve for single or  
 two-way aux flow  
 Large capacity hydraulic oil cooler  
 Cylinder rod protection covers  
 -Dozer & Boom

**UPPER:**

Standard Arm w/ thumb bracket:  
 3'8" (1.12 m)  
 Boom: 6'8" (1.95 m)  
 Boom Swing: 75° left / 50° right  
 Zero Tail Swing  
 Bucket linkage with lifting hook

**MISCELLANEOUS:**

Operating weight:  
 Canopy short arm- 6,020 lbs.  
 (2505 kg)  
 All weights are with rubber tracks, no  
 quick coupler, bucket, fluids, full of  
 fuel, and 165lb operator  
 Additional Counterweight - 286 lbs



**E30C COMPACT EXCAVATOR  
US PRICE LIST**

**Standard Equipment**

Warranty - Base warranty Coverage:  
2-Year/3,000-Hour Full Machine  
Limited Warranty

SHIPPING POINT:  
Port of Entry





**E30C COMPACT EXCAVATOR  
US PRICE LIST**

**Models**

COMMERCIAL MODEL	Weight	Factory Data	List Price
E30C	8,300 LB		\$55,523.00
Includes the following Equipment Additional Counterweight. (747996)		\$213.00	



**E30C COMPACT EXCAVATOR  
US PRICE LIST**

**Factory Supplied Options**

Order Code	Description	Weight	Factory Data	List Price
------------	-------------	--------	--------------	------------

**OPERATOR STRUCTURE**

SD\_10181 CRAWLER TYPE

	9552700	Rubber Tracks <b>One-piece molded rubber belt track with a steel cable core.</b> <b>The entire track must be replaced at time of service.</b> <b>Select this track for general use on soils and hard surfaces.</b>			No Charge
--	---------	---	--	--	-----------

**ROPS/CAB**

SD\_05127 CAB

	747238	CAB 747238			\$5,882.00
	747239	CANOPY 747239			No Charge

**ADDITIONAL EQUIPMENT**

SD\_X5405 2ND AUX. CIRCUIT

	747053	2nd Aux 2-Way Proportional			\$1,949.00
	747999	W/O 2nd Aux 2-Way Proportional			No Charge

SD\_X5406 1ST AUX HYD TWO WAYS

	747054	2Way Aux Pedal Proportional			No Charge
	747055	2Way Aux Joystick Proportional			No Charge

SD\_X6105 DOZER BLADE OPTION

	747240	STD DOZER BLADE 747240			No Charge
--	--------	------------------------	--	--	-----------

SD\_X6206 LINKAGE

	747062	Linkage With Hook			No Charge
	747063	Linkage Without Hook			(\$63.00)

SD\_X6207 HYDR Q/C PROV.

	747064	Hydraulic Q/C Provision <b>Includes switch &amp; hydraulic lines to end of arm</b>			\$515.00
	747065	W/O Q/C Provision			No Charge



**E30C COMPACT EXCAVATOR  
US PRICE LIST**

**COUNTERWEIGHTS**

SD\_40003 COUNTERWEIGHT

		747996	Additional Counterweight. <b>Additional bolt-on weight that adds: 286 lb (130 kg) on E26C models 330 lb (150 kg) on E37C models</b>			\$213.00
--	--	--------	--	--	--	----------

**ADDITIONAL EQUIPMENT**

SD\_30180 TRAVEL ALARM

		747453	Travel Alarm			\$213.00
		747994	W/O Travel Alarm			No Charge

SD\_X5413 AUX WORKING LIGHTS

		747241	Add Halogen Working			No Charge
		747242	LED Working Lights			\$155.00

SD\_X6100 ARM

		747078	Arm Short w/Thumb Bracket <b>Please refer to the standard pages for arm lengths</b>			No Charge
--	--	--------	--	--	--	-----------

SD\_X6210 BEACON

		747070	Beacon			\$288.00
		747087	W/O - Beacon			No Charge

**E30C COMPACT EXCAVATOR  
US PRICE LIST**
**Factory Supplied Attachments**

Order Code	Description	Weight	Factory Data	List Price
------------	-------------	--------	--------------	------------

**KLAC Buckets & Coupler**

48094116	12"HD Bucket (KLAC Coupler) Always reference model lifting capacities when configuring units with attachments.	143 LB		\$571.00
48094117	18"HD Bucket (KLAC Coupler) Always reference model lifting capacities when configuring units with attachments.	176 LB		\$644.00
48094118	24"HD Bucket (KLAC Coupler) Always reference model lifting capacities when configuring units with attachments.	209 LB		\$824.00
47422632	KLAC Base Plate (To adapt other buckets) Always reference model lifting capacities when configuring units with attachments.	20 LB		\$311.00
48057633	Coupler, KLAC Always reference model lifting capacities when configuring units with attachments.	71 LB		\$1,203.00

**Pin-On/Mech. Buckets & Coupler**

48057611	12"HD Bucket (Mech/Hyd Coupler) Always reference model lifting capacities when configuring units with attachments.	121 LB		\$569.00
48057612	18"HD Bucket (Mech/Hyd Coupler) Always reference model lifting capacities when configuring units with attachments.	154 LB		\$680.00
48057613	24"HD Bucket (Mech/Hyd Coupler) Always reference model lifting capacities when configuring units with attachments.	185 LB		\$870.00
48057615	Coupler, Mechanical Pin-Grabber Only compatible with C-Series bucket Always reference model lifting capacities when configuring units with attachments.	95 LB		\$1,679.00
47457879	Dead Pin Kit Required when ordering more than 1 bucket with a Pin-Grabber Coupler 1 SET INCLUDED W/MECH AND HYD COUPLERS	8 LB		\$194.00
48094307	Coupler,Hydraulic Pin-Grabber Compatible with both the B and C series buckets. When used with a B-series bucket, it requires the removal of the spacer plates. Includes 1 set of dead pins for installation into a single bucket Always reference model lifting capacities when configuring units with attachments. Hydraulic Q/C Prov 747064 is required to power hydraulic coupler.	99 LB		\$3,697.00
48190704	12" High Capacity Bucket 2.1 cubic feet			\$796.00
48190705	18" High Capacity Bucket 3.2 cubic feet			\$935.00
48190706	24" High Capacity Bucket 4.3 cubic feet			\$998.00



**E30C COMPACT EXCAVATOR  
US PRICE LIST**

**Thumbs**

	48058019	Thumb Kit, Hyd., Short Tines FOR E26C USE W/DIRECT FIT, KLAC BUCKETS AND MECH PIN-GRABBER COUPLER FOR E30C USE WITH KLAC BUCKETS AND MECH PIN-GRABBER COUPLER Always reference model lifting capacities when configuring units with attachments.	150 LB		\$2,455.00
	48094114	Thumb Kit, Hyd., Long Tines For E26C - USE W/HYD PIN-GRABBER COUPLER ONLY For E30C - USE WITH PIN-ON BUCKETS & HYD PIN-GRABBER COUPLER Always reference model lifting capacities when configuring units with attachments.	150 LB		\$2,455.00

**E37C COMPACT EXCAVATOR  
US PRICE LIST**
**Standard Equipment**
**ENGINE:**

Yanmar 3TNV88F-ESHYB  
 3 Cyl. water-cooled  
 direct injection diesel  
 100.2 CID (1.642L)  
 Tier 4 Final  
 Glow plugs  
 Horsepower:  
 Gross 24.4 HP (18.2 Kw)@2,200 RPM  
 Maximum Engine Torque:  
 69.4 lb ft (94.1 Nm)@1200 RPM  
 Dry type air cleaner

**OPERATOR PROTECTIVE STRUCTURE:****ROPS/FOPS:**

Enclosed Cab with Overhead opening  
 front window, Sliding side window,  
 Lockable door, Heater, defroster, air  
 conditioner and Radio/USB player + 2  
 speakers  
 Mechanical Suspension seat, with  
 2" seat belt  
 Pilot operated joysticks for boom, arm,  
 bucket, and swing with adjustable  
 wrist rests  
 Foot pedals for travel control and  
 swing Tower control

**Gauges:**

Engine Coolant Temp and Fuel level

**Indicator Lights:**

Engine oil pressure, coolant  
 temperature, battery charge, low fuel  
 warning, engine preheat, Air cleaner  
 warning, Hyd. quick coupler lock, and  
 high travel speed

**ELECTRICAL:**

12 Volt electrical starting system  
 includes heavy-duty battery and  
 starting motor  
 40 Amp Alternator  
 Battery Master Switch  
 Key Start  
 Anti-Theft-Engine starting passwords  
 Dual 12V power plug recepticals  
 Front and rear working Lights  
 Auto idle feature with on/off switch

Pre-wired telematics ready

**BLADE:**

Standard hydraulically controlled  
 dozer blade  
 Optional 4-way dozer blade

**UNDERCARRIAGE:**

Rubber tracks  
 Track pad width: 12" (300 mm)  
 Track length: 7'0" (2130 mm)  
 Gradeability: 30 degrees  
 Ground Clearance: 11" (290 mm)

**TRACK DRIVE:**

Two speed travel  
 Fully hydrostatic drive system  
 Track tension adjustment  
 (grease type)  
 Sealed and lubricated track

**HYDRAULICS:**

Control pattern selector valve  
 Hydraulic oil filter  
 Total Auxiliary Flow:  
 16.0 gpm @ 2,973 psi  
 (60.5 L/min @ 205 bar)  
 Main Pump: 3,270 PSI  
 Auxiliary piping capped at end of dipper  
 Proportional auxillary hydraulic flow  
 control  
 Selector valve for single or two way  
 aux flow  
 Large capacity hydraulic oil cooler  
 Cylinder rod protection covers  
 -Dozer & Boom

**UPPER:**

Standard Arm w/ thumb bracket:  
 4'3" (1.3 m)  
 Optional Long Arm w/ thumb bracket:  
 5'3" (1.6 m)  
 Boom: 8'2" (2.5 m)  
 Boom Swing: 75° left / 50° right  
 Zero Tail Swing  
 Swing brake: disc type, spring applied  
 and hydraulically released  
 Bucket Linkage with lifting hook

**MISCELLANEOUS:**

Operating weight:



<b>E37C COMPACT EXCAVATOR US PRICE LIST</b>
---

## Standard Equipment

Cab, shot arm-8140 lbs(3690 kg)  
 Cab, long arm, additional  
 counterweight-8490 lbs(3850 kg)  
 Additional counterweight-330lbs  
 Warranty - Base warranty coverage:

2-Year/3,000-Hour Full Machine Limited  
 Warranty  
 SHIPPING POINT:  
 Port of Entry



**E37C COMPACT EXCAVATOR  
US PRICE LIST**

**Models**

COMMERCIAL MODEL	Weight	Factory Data	List Price
E37C	8,300 LB		\$58,867.00





**E37C COMPACT EXCAVATOR  
US PRICE LIST**

**Factory Supplied Options**

Order Code	Description	Weight	Factory Data	List Price
------------	-------------	--------	--------------	------------

**OPERATOR STRUCTURE**

SD\_10181 CRAWLER TYPE

9552700	Rubber Tracks <b>One-piece molded rubber belt track with a steel cable core. The entire track must be replaced at time of service. Select this track for general use on soils and hard surfaces.</b>			No Charge
9553700	Steel Tracks <b>Steel track chain with steel grousers/shoes. Select this track for the most aggressive traction in soils and if there is no concern for disrupting the appearance of ground conditions such as grass, asphalt or concrete. This track is intended for use on soils, but can be used on hard surfaces as well.</b>			\$1,362.00

**ROPS/CAB**

SD\_05127 CAB

747238	CAB 747238			\$9,371.00
747239	CANOPY 747239			No Charge

**ADDITIONAL EQUIPMENT**

SD\_X5405 2ND AUX. CIRCUIT

747053	2nd Aux 2-Way Proportional			\$1,949.00
747999	W/O 2nd Aux 2-Way Proportional			No Charge

SD\_X5406 1ST AUX HYD TWO WAYS

747054	2Way Aux Pedal Proportional			No Charge
747055	2Way Aux Joystick Proportional			No Charge

SD\_X6105 DOZER BLADE OPTION

747232	STD DOZER BLADE 747232			No Charge
747981	4-Way Angle Dozer Blade			\$3,509.00

SD\_X6206 LINKAGE

747062	Linkage With Hook			No Charge
747063	Linkage Without Hook			(\$63.00)

**E37C COMPACT EXCAVATOR  
US PRICE LIST**

## SD\_X6207 HYDR Q/C PROV.

	747064	Hydraulic Q/C Provision <b>Includes switch &amp; hydraulic lines to end of arm</b>			\$515.00
	747065	W/O Q/C Provision			No Charge

**COUNTERWEIGHTS**

## SD\_40003 COUNTERWEIGHT

	747995	Standard Counterweight.			No Charge
	747996	Additional Counterweight. <b>Additional bolt-on weight that adds: 286 lb (130 kg) on E26C models 330 lb (150 kg) on E37C models</b>			\$213.00

**ADDITIONAL EQUIPMENT**

## SD\_30180 TRAVEL ALARM

	747453	Travel Alarm			\$213.00
	747994	W/O Travel Alarm			No Charge

## SD\_X5413 AUX WORKING LIGHTS

	747241	Add Halogen Working			No Charge
	747242	LED Working Lights			\$155.00

## SD\_X6100 ARM

	747078	Arm Short w/Thumb Bracket <b>Please refer to the standard pages for arm lengths</b>			No Charge
	747079	Arm Long w/Thumb Bracket <b>Please refer to the standard pages for arm lengths</b>			\$337.00

## SD\_X6210 BEACON

	747070	Beacon			\$288.00
	747087	W/O - Beacon			No Charge

**E37C COMPACT EXCAVATOR  
US PRICE LIST**
**Factory Supplied Attachments**

Order Code	Description	Weight	Factory Data	List Price
------------	-------------	--------	--------------	------------

**KLAC Buckets & Coupler**

47422654	12"HD Bucket (KLAC Coupler) Always reference model lifting capacities when configuring units with attachments.	189 LB		\$1,101.00
47422655	18"HD Bucket (KLAC Coupler) Always reference model lifting capacities when configuring units with attachments.	223 LB		\$1,191.00
47422656	24"HD Bucket (KLAC Coupler) Always reference model lifting capacities when configuring units with attachments. On model E33C- For best performance this size bucket is intended for usage w/o a thumb.	267 LB		\$1,346.00
47422657	36"HD Bucket (KLAC Coupler) Always reference model lifting capacities when configuring units with attachments.	348 LB		\$1,643.00
47422658	36"Ditch Bucket (KLAC Coupler) Always reference model lifting capacities when configuring units with attachments.	315 LB		\$1,244.00
47422660	KLAC Base Plate (To adapt other buckets) Always reference model lifting capacities when configuring units with attachments.	31 LB		\$380.00
47873455	ATTACHMENT, RIPPER TOOTH, Always reference model lifting capacities when configuring units with attachments.	220 LB		\$1,014.00
48057634	Coupler, KLAC Always reference model lifting capacities when configuring units with attachments.	43 LB		\$1,354.00

**Pin-On/Mech. Buckets & Coupler**

48057617	12"HD Bucket (Pin-On & Mech/Hyd Coupler) Always reference model lifting capacities when configuring units with attachments.	161 LB		\$844.00
48057619	18"HD Bucket (Pin-On & Mech/Hyd Coupler) Always reference model lifting capacities when configuring units with attachments.	205 LB		\$935.00
48057620	24"HD Bucket (Pin-On & Mech/Hyd Coupler) Always reference model lifting capacities when configuring units with attachments.	247 LB		\$1,090.00
48057621	BUCKET, 36IN, 1-POS PIN-O Always reference model lifting capacities when configuring units with attachments. On model E33C- For best performance this size bucket is intended for usage w/o a thumb.	331 LB		\$1,388.00
48057622	36"Ditch Bucket (Pin-On & M/H Coupler) Always reference model lifting capacities when configuring units with attachments. On model E33C- For best performance this size bucket is intended for usage w/o a thumb.	313 LB		\$1,151.00



**E37C COMPACT EXCAVATOR  
US PRICE LIST**

	48057623	Coupler, Mechanical Pin-Grabber Compatible with both B & C - series buckets Always reference model lifting capacities when configuring units with attachments.	43 LB		\$1,687.00
	48057624	Dead Pin Kit (for additional buckets) Required when ordering more than 1 bucket with a Pin-Grabber Coupler 1 SET INCLUDED W/MECH AND HYD COUPLERS	11 LB		\$203.00
	48057638	Ripper Tooth Pin-On	220 LB		\$1,014.00
	48058013	Coupler,Hydraulic Pin-Grabber Compatible with both the B & C - series buckets Includes 1 set of dead pins for installation into a single bucket Always reference model lifting capacities when configuring units with attachments. Hydraulic Q/C Prov 747064 is required to power hydraulic coupler.	132 LB		\$3,697.00

**Thumbs**

	48059646	Thumb Kit, Hyd.,Short Tines USE W/DIRECT FIT AND KLAC BUCKETS Always reference model lifting capacities when configuring units with attachments.	150 LB		\$2,421.00
	48058020	Thumb Kit, Hyd.,Long Tines USE W/MECH AND HYD PIN-GRABBER COUPLERS Always reference model lifting capacities when configuring units with attachments.	200 LB		\$2,566.00

**E57C COMPACT EXCAVATOR  
 US PRICE LIST**

**Standard Equipment**

**ENGINE:**

Yanmar 4TNV98C  
 4 Cyl. water-cooled,  
 electronic common rail diesel  
 203 CID (3.319L)  
 Tier 4 Final  
 Glow plugs  
 Horsepower:  
 Gross 66.9 HP (49.9 Kw)@2,400 RPM  
 Maximum Engine Torque:  
 173.7 lb ft (235.4 Nm)@1550 RPM  
 Dry type air cleaner

exhaust temperature

**ELECTRICAL:**

12 Volt electrical starting system  
 includes heavy-duty battery and  
 starting motor  
 60 Amp Alternator  
 Battery master switch  
 Key start  
 Anti-theft-engine starting passwords  
 Dual 12V power plug recepticals  
 Front working light  
 Auto idle feature with on/off switch  
 Pre-wired telematics ready

**OPERATOR PROTECTIVE**

**STRUCTURE:**

**ROPS/FOPS:**

Enclosed cab with overhead  
 opening front window, sliding side  
 window, lockable door, heater,  
 defroster and air conditioner,  
 radio/USB player + 2 speakers  
 bluetooth with remote control and  
 5.7" color LCD display screen  
 Sound levels:  
 ISO 6396:2008 sound pressure #level  
 LpA=76bB(A)

Mechanical suspension seat, with seat  
 belt, and seat heater  
 Pilot operated joysticks for boom, arm  
 bucket, and swing with adjustable  
 wrist rests  
 Foot pedals for travel control and  
 swing tower control

Gauges: Engine coolant temperature,  
 hydraulic oil temperature,  
 and fuel level

Indicator Lights: Hydraulic oil temp,  
 Air cleaner, engine stop, check  
 engine, water in fuel, battery  
 charging, emergency warning, low  
 fuel level, engine coolant  
 temperature, engine oil  
 pressure, DPF regeneration inhibit  
 warning and regeneration  
 acknowledge, DPF warning, and high

**BLADE:**

Hydraulically controlled blade  
 Optional 4-way angle blade

**UNDERCARRIAGE:**

Rubber tracks  
 Track pad width: 15" (380 mm)  
 Track length: 8'4" (2530 mm)  
 Gradeability: 35 degrees  
 Ground clearance: 1'3" (380 mm)

**TRACK DRIVE:**

Two speed travel  
 Fully hydrostatic drive system  
 Track tension adjustment  
 (grease type)  
 Sealed and lubricated track

**HYDRAULICS:**

Electronic pattern change switch  
 inside cab controls selector valve  
 Hydraulic oil filter  
 Total Auxiliary Flow:  
 25.4 gpm @ 3,191 psi  
 (96.2 L/min @ 220 bar)  
 Main Pump: 3,130 PSI  
 Auxiliary valves and piping  
 for independent way aux and two  
 way aux circuits.  
 Proportional auxiliary hydraulic flow



**E57C COMPACT EXCAVATOR  
US PRICE LIST**

### Standard Equipment

control  
 Large capacity hydraulic oil cooler  
 Cylinder rod protection covers  
 -Boom & Dozer

UPPER:

Standard Arm w/Thumb bracket:  
 5'3" (1.6 m)

Optional Long Arm w/Thumb bracket:  
 6'3" (1.9 m)

Boom: 9'10" (2.5 m)  
 Boom Swing: 80° left / 50° right  
 Conventional Swing Radius  
 Swing brake: disc type, spring applied  
 and hydraulically released  
 Bucket linkage with lifting hook

MISCELLANEOUS:

Operating weight:  
 Cab, short arm with Heavy  
 Counterweight - 12,680 lbs  
 (5750 kg)

Cab, long arm with Heavy  
 Counterweight - 12,720 lbs  
 (5770 kg)

Heavy Counterweight - 220 lbs

Warranty - Base warranty coverage:  
 2-Year/3,000-Hour Full Machine Limited  
 Warranty

SHIPPING POINT:  
 Port of Entry



**E57C COMPACT EXCAVATOR  
US PRICE LIST**

**Models**

COMMERCIAL MODEL	Weight	Factory Data	List Price
E57C	12,050 LB		\$96,908.00



**E57C COMPACT EXCAVATOR  
US PRICE LIST**

**Factory Supplied Options**

Order Code	Description	Weight	Factory Data	List Price
SD_10181 CRAWLER TYPE				
9552610	Steel Tracks 450 MM <b>Steel track chain with steel grousers/shoes. Select this track for the most aggressive traction in soils and if there is no concern for disrupting the appearance of ground conditions such as grass, asphalt or concrete. This track is intended for use on soils, but can be used on hard surfaces as well.</b>			\$2,390.00
9552612	Steel w/Pads 400 MM <b>Steel track chain with steel grousers/shoes and bolt on rubber track pads. Each rubber track pad can be individually replaced or removed independently from the steel grouser/shoe. Select this option to gain traction on hard surfaces such as asphalt or concrete and to help protect their surface finish with the rubber track pads attached. All of the rubber track pads can be removed to perform as an all steel track as desired.</b>			\$4,368.00
9552613	Steel w/Pad Hole 400MM <b>Steel track chain with steel grousers/shoes that have holes to accept bolt-on rubber track pads. Select this track for the most aggressive traction in soils and if there is no concern for disrupting the appearance of ground conditions such as grass, asphalt or concrete. For added traction on hard surfaces such as asphalt or concrete and to help protect their surface finish it is recommended to use bolt on rubber track pads.</b>			\$2,266.00
9552710	Rubber Link Tracks 400MM <b>Steel track chain with molded rubber grousers/shoes. These are also called hybrid tracks or roadliner tracks. Each grouser/shoe has a steel core completely molded in rubber and can be individually replaced since they are bolted to a steel chain. This track will offer the stability of a steel track with the surface protection of a rubber track pad.</b>			\$12,346.00





**E57C COMPACT EXCAVATOR  
US PRICE LIST**

	9552711	Rubber Tracks 400MM <b>One-piece molded rubber belt track with a steel cable core. The entire track must be replaced at time of service. Select this track for general use on soils and hard surfaces.</b>			No Charge
--	---------	---	--	--	-----------

**SD\_30180 TRAVEL ALARM**

	747994	W/O Travel Alarm			No Charge
	747453	Travel Alarm			
		if BRAND is New Holland CE			\$314.00

**SD\_47181 OPERATOR'S MANUAL**

	747480	Operators Manual - English			No Charge
	747961	Operators Manual - French			No Charge
	747464	Operators Manual- Spanish			No Charge

**SD\_PACKET\_MX5B\_000048 E57C CAB Short Arm**

	YES	YES			TBD
--	-----	-----	--	--	-----

**SD\_PACKET\_MX5B\_000049 E57C CAB Long Arm**

	YES	YES			TBD
--	-----	-----	--	--	-----

**SD\_PACKET\_MX5B\_000052 E57C CAB Long HQCP**

	YES	YES			TBD
--	-----	-----	--	--	-----

**SD\_X5202 TRACK GUIDE**

	747096	Full Track Guide <b>Full track guides for steel tracks and steel tracks with bolt on rubber track pads only</b>			\$696.00
	747097	3-Piece Track Guide <b>3-piece track guides for steel tracks and steel tracks with bolt on rubber track pads only</b>			No Charge
	747128	W/O TRACK GUIDE			No Charge

**SD\_X5405 2ND AUX. CIRCUIT**

	747999	W/O 2nd Aux 2-Way Proportional			No Charge
	747053	2nd Aux 2-Way Proportional			\$2,720.00

**SD\_X5407 1ST AUX HYD CIRCUIT**

	747122	2Way Aux Joystick Proportional			No Charge
	747123	2Way Aux Pedal Proportional			No Charge

**SD\_X5414 AUX WORKLIGHTS CAB**

	747057	Working Lights			No Charge
	747235	LED CAB WORKLIGHTS			\$155.00

**SD\_X6100 ARM**

	747078	Arm Short w/Thumb Bracket			No Charge
--	--------	---------------------------	--	--	-----------



**E57C COMPACT EXCAVATOR  
US PRICE LIST**

	747079	Arm Long w/Thumb Bracket			\$939.00
--	--------	--------------------------	--	--	----------

SD\_X6105 DOZER BLADE OPTION

	747232	STD DOZER BLADE 747232			No Charge
	747981	4-Way Angle Dozer Blade			\$4,223.00

SD\_X6206 LINKAGE

	747063	Linkage Without Hook			(\$144.00)
--	--------	----------------------	--	--	------------

SD\_X6207 HYDR Q/C PROV.

	747065	W/O Q/C Provision			No Charge
	747236	HYD Q/C PROV 2 WAY <b>Includes factory installed sensor and harness, cab switch &amp; hydraulic lines to end of arm.</b> <b>No longer necessary to install safety interlock kit.</b> <b>Replaces QC Provision 747064</b>			\$660.00

SD\_X9908 CAMERA

	747089	W/O Rear View Camera			No Charge
	747090	Rear View Camera			\$611.00

**E57C COMPACT EXCAVATOR  
US PRICE LIST**
**Factory Supplied Attachments**

Order Code	Description	Weight	Factory Data	List Price
------------	-------------	--------	--------------	------------

**KLAC Buckets & Coupler**

47422702	12"HD Bucket (KLAC Coupler) Always reference model lifting capacities when configuring units with attachments	220 LB		\$1,272.00
47422703	18"HD Bucket (KLAC Coupler) Always reference model lifting capacities when configuring units with attachments	256 LB		\$1,349.00
47422704	24"HD Bucket (KLAC Coupler) Always reference model lifting capacities when configuring units with attachments	309 LB		\$1,505.00
47422705	36"HD Bucket (KLAC Coupler) Always reference model lifting capacities when configuring units with attachments	408 LB		\$1,888.00
47422658	36"Ditch Bucket (KLAC Coupler) Always reference model lifting capacities when configuring units with attachments	315 LB		\$1,244.00
47422660	KLAC Base Plate (To adapt other buckets) Always reference model lifting capacities when configuring units with attachments	31 LB		\$380.00
47873455	ATTACHMENT, RIPPER TOOTH, Always reference model lifting capacities when configuring units with attachments	220 LB		\$1,014.00
48057636	Coupler, KLAC Always reference model lifting capacities when configuring units with attachments	55 LB		\$1,395.00
47872281	36"Cemetery Bucket (KLAC Coupler) Always reference model lifting capacities when configuring units with attachments	310 LB		\$1,310.00

**Pin-On/Mech. Buckets & Coupler**

48057625	12"HD Bucket (Pin-On & Mech/Hyd Coupler) Always reference model lifting capacities when configuring units with attachments	190 LB		\$958.00
48057626	18"HD Bucket (Pin-On & Mech/Hyd Coupler) Always reference model lifting capacities when configuring units with attachments	240 LB		\$1,094.00
48057627	24"HD Bucket (Pin-On & Mech/Hyd Coupler) Always reference model lifting capacities when configuring units with attachments	291 LB		\$1,248.00
48057628	36"HD Bucket (Pin-On & Mech/Hyd Coupler) Always reference model lifting capacities when configuring units with attachments	388 LB		\$1,537.00
48057629	36"Ditch Bucket (Pin-On & M/H Coupler) Always reference model lifting capacities when configuring units with attachments	313 LB		\$1,153.00
48057637	36"Cemetery Bucket (Pin-On & M/H Coupler) Always reference model lifting capacities when configuring units with attachments	305 LB		\$1,310.00

**E57C COMPACT EXCAVATOR  
US PRICE LIST**

	48057630	Coupler, Mechanical Pin-Grabber Only compatible with C-Series buckets Includes 1 set of dead pins for installation into a single bucket Always reference model lifting capacities when configuring units with attachments.	74 LB		No Charge
	48057631	PIN Required when ordering more than 1 bucket with a Pin-Grabber Coupler	17 LB		\$228.00
	48057639	Ripper Tooth Pin-On Always reference model lifting capacities when configuring units with attachments	220 LB		\$1,014.00
	48058014	Coupler, Hydraulic Pin-Grabber Only compatible with C-Series buckets Includes 1 set of dead pins for installation into a single bucket Always reference model lifting capacities when configuring units with attachments. Hydraulic Q/C Prov 747064 is required to power hydraulic coupler.	63 LB		\$3,549.00
	48082917	Coupler, B/C-Series Universal Mechanical Adapter, compatible with both B & C-Series buckets Always reference model lifting capacities when configuring units with attachments	85 LB		\$900.00

**Thumbs**

	48059650	Thumb Kit, Hyd.,Short Tines USE W/DIRECT FIT AND KLAC BUCKETS Always reference model lifting capacities when configuring units with attachments.	250 LB		\$2,678.00
	48058021	Thumb Kit, Hyd.,Long Tines USE W/MECH AND HYD PIN-GRABBER COUPLERS Always reference model lifting capacities when configuring units with attachments	250 LB		\$2,678.00

<b>E60C COMPACT EXCAVATOR US PRICE LIST</b>
---

## Standard Equipment

**ENGINE:**

Yanmar 4TNV98C  
 4 Cyl. water-cooled,  
 electronic common rail diesel  
 203 CID (3.319L)  
 Tier 4 Final  
 Glow plugs  
 Horsepower:  
 Gross 67.7 HP (48.3 Kw)@2,200 RPM  
 Maximum Engine Torque:  
 173.6 lb ft (235.4 Nm)@1550 RPM  
 Dry type air cleaner

acknowledge, DPF warning, and high  
 exhaust temperature

**ELECTRICAL:**

12 Volt electrical starting system  
 includes heavy-duty battery and  
 starting motor  
 60 Amp alternator  
 Battery master switch  
 Key start  
 Anti-theft-engine starting passwords  
 Dual 12V power plug recepticals  
 Front working light  
 Auto idle feature with on/off switch  
 Pre-wired telematics ready

**OPERATOR PROTECTIVE****STRUCTURE:****ROPS/FOPS:**

Enclosed cab with overhead  
 opening front window, sliding side  
 window, lockable door, heater,  
 defroster and air conditioner,  
 radio/USB player + 2 speakers  
 bluetooth with remote control and  
 5.7" color LCD display screen  
 Sound levels:  
 ISO 6396:2008 sound pressure #level  
 LpA=77dB(A)  
 Mechanical suspension seat, with seat  
 belt, and seat heater  
 Pilot operated joysticks for boom,  
 arm, bucket and swing with  
 adjustable wrist rests  
 Foot pedals for travel control and  
 swing tower control

Gauges: Engine coolant temperature,  
 hydraulic oil temperature,  
 and fuel level

Indicator Lights: Hydraulic oil temp,  
 air cleaner, engine stop, check  
 engine, water in fuel, battery  
 charging, emergency warning, low  
 fuel level, engine coolant  
 temperature, engine oil  
 pressure, DPF regeneration inhibit  
 warning and regeneration

**BLADE:**

Hydraulically controlled dozer blade  
 Optional 4-way angle blade

**UNDERCARRIAGE:**

Rubber tracks  
 Track pad width: 15" (380 mm)  
 Track length: 8'4" (2530 mm)  
 Gradeability: 35 degrees  
 Ground clearance: 1'3" (380 mm)

**TRACK DRIVE:**

Two speed travel  
 Fully hydrostatic drive system  
 Track tension adjustment  
 (grease type)  
 Sealed and lubricated track

**HYDRAULICS:**

Control pattern selector valve  
 Hydraulic oil filter  
 Total Auxiliary Flow:  
 24.2 gpm @ 3,191 psi  
 (91.6 L/min @ 220 bar)  
 Main Pump: 3,130 PSI  
 Auxiliary valves and piping  
 for independent one way aux and  
 two way aux circuits.  
 Proportional auxiliary hydraulic flow



**E60C COMPACT EXCAVATOR  
US PRICE LIST**

**Standard Equipment**

control  
Large capacity hydraulic oil cooler  
Cylinder rod protection covers  
-Boom & Dozer

Bucket linkage with lifting hook

**UPPER:**

Standard Arm w/Thumb bracket:  
4"10" (1.48 m)  
Optional Long Arm w/Thumb bracket:  
6'3" (1.9 m)  
Boom: 9'6" (2.9 m)  
Boom Swing: 70° left / 50° right  
Short Tail Swing Radius  
Swing brake: disc type, spring applied  
and hydraulically released

**MISCELLANEOUS:**

Operating weight:  
Cab, short arm - 12,790 lbs (5800 kg)  
Cab, long arm with additional  
counterweight - 13,290 lbs  
(6025 kg)  
Additional counterweight - 440 lbs

Warranty - Base warranty coverage:  
2-Year/3,000-Hour Full Machine Limited  
Warranty

**SHIPPING POINT:**

Port of Entry

**E60C COMPACT EXCAVATOR  
 US PRICE LIST**

**Models**

COMMERCIAL MODEL	Weight	Factory Data	List Price
E60C	12,940 LB		\$100,271.00

Packet	Description	Weight	Factory Data	List Price
E57C CAB Long Arm				\$0.00
SD_10181-CRAWLER TYPE	Rubber Tracks 400MM			
SD_30180-TRAVEL ALARM	Travel Alarm			
SD_47181-OPERATOR'S MANUAL	Operators Manual - English			
SD_X5405-2ND AUX. CIRCUIT	W/O 2nd Aux 2-Way Proportional			
SD_X5407-1ST AUX HYD CIRCUIT	2Way Aux Joystick Proportional			
SD_X5414-AUX WORKLIGHTS CAB	Working Lights			
SD_X6100-ARM	Arm Long w/Thumb Bracket			
SD_X6206-LINKAGE	Linkage With Hook			
SD_X6207-HYDR Q/C PROV.	W/O Q/C Provision			
SD_X6210-BEACON	LED Beacon			
SD_X9908-CAMERA	W/O Rear View Camera			
E57C CAB Long HQCP				\$0.00
SD_10181-CRAWLER TYPE	Rubber Link Tracks 400MM			
SD_30180-TRAVEL ALARM	Travel Alarm			
SD_40003-COUNTERWEIGHT	Additional Counterweight			
SD_X5405-2ND AUX. CIRCUIT	W/O 2nd Aux 2-Way Proportional			
SD_X5407-1ST AUX HYD CIRCUIT	2Way Aux Joystick Proportional			
SD_X5414-AUX WORKLIGHTS CAB	Working Lights			
SD_X6100-ARM	Arm Long w/Thumb Bracket			
SD_X6206-LINKAGE	Linkage With Hook			
SD_X6207-HYDR Q/C PROV.	HYD Q/C PROV 2 WAY			
SD_X6210-BEACON	LED Beacon			
SD_X9908-CAMERA	W/O Rear View Camera			
E57C CAB Short Arm				\$0.00
SD_10181-CRAWLER TYPE	Rubber Tracks 400MM			
SD_30180-TRAVEL ALARM	Travel Alarm			
SD_47181-OPERATOR'S MANUAL	Operators Manual - English			
SD_X5405-2ND AUX. CIRCUIT	W/O 2nd Aux 2-Way Proportional			
SD_X5407-1ST AUX HYD CIRCUIT	2Way Aux Joystick Proportional			
SD_X5414-AUX WORKLIGHTS CAB	Working Lights			
SD_X6100-ARM	Arm Short w/Thumb Bracket			
SD_X6206-LINKAGE	Linkage With Hook			
SD_X6207-HYDR Q/C PROV.	W/O Q/C Provision			
SD_X6210-BEACON	LED Beacon			
SD_X9908-CAMERA	W/O Rear View Camera			
E60C CAB Long HQCP				\$0.00



**E60C COMPACT EXCAVATOR  
US PRICE LIST**

Packet	Description	Weight	Factory Data	List Price
SD_10181-CRAWLER TYPE	Rubber Link Tracks 400MM			
SD_30180-TRAVEL ALARM	Travel Alarm			
SD_40003-COUNTERWEIGHT	Additional Counterweight			
SD_X5405-2ND AUX. CIRCUIT	W/O 2nd Aux 2-Way Proportional			
SD_X5407-1ST AUX HYD CIRCUIT	2Way Aux Joystick Proportional			
SD_X5414-AUX WORKLIGHTS CAB	Working Lights			
SD_X6100-ARM	Arm Long w/Thumb Bracket			
SD_X6206-LINKAGE	Linkage With Hook			
SD_X6207-HYDR Q/C PROV.	HYD Q/C PROV 2 WAY			
SD_X6210-BEACON	LED Beacon			
SD_X9850-HYDRAULIC OIL	STD HYD OIL VG46			
SD_X9908-CAMERA	W/O Rear View Camera			



**E60C COMPACT EXCAVATOR  
 US PRICE LIST**

**Factory Supplied Options**

Order Code	Description	Weight	Factory Data	List Price
SD_10181 CRAWLER TYPE				
9552610	Steel Tracks 450 MM <b>Steel track chain with steel grousers/shoes. Select this track for the most aggressive traction in soils and if there is no concern for disrupting the appearance of ground conditions such as grass, asphalt or concrete. This track is intended for use on soils, but can be used on hard surfaces as well.</b>			\$2,390.00
9552612	Steel w/Pads 400 MM <b>Steel track chain with steel grousers/shoes and bolt on rubber track pads. Each rubber track pad can be individually replaced or removed independently from the steel grouser/shoe. Select this option to gain traction on hard surfaces such as asphalt or concrete and to help protect their surface finish with the rubber track pads attached. All of the rubber track pads can be removed to perform as an all steel track as desired.</b>			\$4,557.00
9552613	Steel w/Pad Hole 400MM <b>Steel track chain with steel grousers/shoes that have holes to accept bolt-on rubber track pads. Select this track for the most aggressive traction in soils and if there is no concern for disrupting the appearance of ground conditions such as grass, asphalt or concrete. For added traction on hard surfaces such as asphalt or concrete and to help protect their surface finish it is recommended to use bolt on rubber track pads.</b>			\$2,266.00
9552710	Rubber Link Tracks 400MM <b>Steel track chain with molded rubber grousers/shoes. These are also called hybrid tracks or roadliner tracks. Each grouser/shoe has a steel core completely molded in rubber and can be individually replaced since they are bolted to a steel chain. This track will offer the stability of a steel track with the surface protection of a rubber track pad.</b>			\$12,878.00
9552711	Rubber Tracks 400MM <b>One-piece molded rubber belt track with a steel cable core. The entire track must be replaced at time of service. Select this track for general use on soils and hard surfaces.</b>			No Charge

**E60C COMPACT EXCAVATOR  
US PRICE LIST**

## SD\_30180 TRAVEL ALARM

	747994	W/O Travel Alarm			No Charge
	747453	Travel Alarm			
		if BRAND is New Holland CE			\$314.00

## SD\_40003 COUNTERWEIGHT

	747995	Standard Counterweight.			No Charge
	747084	Additional Counterweight <b>This is a one-piece counterweight that will have the same appearance as the standard counterweight, but weighs 220 lb (100 kg) more. This is not an additional bolt-on weight, just a weight that weighs more than the standard for additional capacity. Tail swing radius and overhang will remain the same.</b>			\$1,015.00

## SD\_47181 OPERATOR'S MANUAL

	747480	Operators Manual - English			No Charge
	747961	Operators Manual - French			No Charge
	747464	Operators Manual- Spanish			No Charge

## SD\_PACKET\_MX5B\_000053 E60C CAB Long HQCP

	YES	YES			TBD
--	-----	-----	--	--	-----

## SD\_PACKET\_MX5B\_000076 E60C CAB Long HQCP

	YES	YES			TBD
--	-----	-----	--	--	-----

## SD\_X5202 TRACK GUIDE

	747097	3-Piece Track Guide <b>3-piece track guides for steel tracks and steel tracks with bolt on rubber track pads only</b>			No Charge
	747128	W/O TRACK GUIDE			No Charge

## SD\_X5405 2ND AUX. CIRCUIT

	747999	W/O 2nd Aux 2-Way Proportional			No Charge
	747053	2nd Aux 2-Way Proportional			\$2,720.00

## SD\_X5407 1ST AUX HYD CIRCUIT

	747122	2Way Aux Joystick Proportional			No Charge
	747123	2Way Aux Pedal Proportional			No Charge

## SD\_X5414 AUX WORKLIGHTS CAB

	747057	Working Lights			No Charge
	747235	LED CAB WORKLIGHTS			\$155.00

## SD\_X6100 ARM

	747078	Arm Short w/Thumb Bracket			No Charge
	747079	Arm Long w/Thumb Bracket			\$939.00



**E60C COMPACT EXCAVATOR  
US PRICE LIST**

SD\_X6105 DOZER BLADE OPTION

	747232	STD DOZER BLADE 747232			No Charge
	747981	4-Way Angle Dozer Blade			\$4,429.00

SD\_X6206 LINKAGE

	747063	Linkage Without Hook			(\$144.00)
--	--------	----------------------	--	--	------------

SD\_X6207 HYDR Q/C PROV.

	747065	W/O Q/C Provision			No Charge
	747236	HYD Q/C PROV 2 WAY <b>Includes factory installed sensor and harness, cab switch &amp; hydraulic lines to end of arm.</b> <b>No longer necessary to install safety interlock kit.</b> <b>Replaces QC Provision 747064</b>			\$660.00

SD\_X9908 CAMERA

	747089	W/O Rear View Camera			No Charge
	747090	Rear View Camera			\$611.00

**E60C COMPACT EXCAVATOR  
US PRICE LIST**
**Factory Supplied Attachments**

Order Code	Description	Weight	Factory Data	List Price
------------	-------------	--------	--------------	------------

**KLAC Buckets & Coupler**

47422702	12"HD Bucket (KLAC Coupler) Always reference model lifting capacities when configuring units with attachments	220 LB		\$1,272.00
47422703	18"HD Bucket (KLAC Coupler) Always reference model lifting capacities when configuring units with attachments	256 LB		\$1,349.00
47422704	24"HD Bucket (KLAC Coupler) Always reference model lifting capacities when configuring units with attachments	309 LB		\$1,505.00
47422705	36"HD Bucket (KLAC Coupler) Always reference model lifting capacities when configuring units with attachments	408 LB		\$1,888.00
47422658	36"Ditch Bucket (KLAC Coupler) Always reference model lifting capacities when configuring units with attachments	315 LB		\$1,244.00
47422660	KLAC Base Plate (To adapt other buckets) Always reference model lifting capacities when configuring units with attachments	31 LB		\$380.00
47873455	ATTACHMENT, RIPPER TOOTH, Always reference model lifting capacities when configuring units with attachments	220 LB		\$1,014.00
48057636	Coupler, KLAC Always reference model lifting capacities when configuring units with attachments	55 LB		\$1,395.00
47872281	36"Cemetery Bucket (KLAC Coupler) Always reference model lifting capacities when configuring units with attachments	310 LB		\$1,310.00

**Pin-On/Mech. Buckets & Coupler**

48057625	12"HD Bucket (Pin-On & Mech/Hyd Coupler) Always reference model lifting capacities when configuring units with attachments	190 LB		\$958.00
48057626	18"HD Bucket (Pin-On & Mech/Hyd Coupler) Always reference model lifting capacities when configuring units with attachments	240 LB		\$1,094.00
48057627	24"HD Bucket (Pin-On & Mech/Hyd Coupler) Always reference model lifting capacities when configuring units with attachments	291 LB		\$1,248.00
48057628	36"HD Bucket (Pin-On & Mech/Hyd Coupler) Always reference model lifting capacities when configuring units with attachments	388 LB		\$1,537.00
48057629	36"Ditch Bucket (Pin-On & M/H Coupler) Always reference model lifting capacities when configuring units with attachments	313 LB		\$1,153.00
48057637	36"Cemetery Bucket (Pin-On & M/H Coupler) Always reference model lifting capacities when configuring units with attachments	305 LB		\$1,310.00



**E60C COMPACT EXCAVATOR  
US PRICE LIST**

	48057630	Coupler, Mechanical Pin-Grabber Only compatible with C-Series buckets Includes 1 set of dead pins for installation into a single bucket Always reference model lifting capacities when configuring units with attachments.	74 LB		No Charge
	48057631	PIN Required when ordering more than 1 bucket with a Pin-Grabber Coupler	17 LB		\$228.00
	48057639	Ripper Tooth Pin-On Always reference model lifting capacities when configuring units with attachments	220 LB		\$1,014.00
	48058014	Coupler, Hydraulic Pin-Grabber Only compatible with C-Series buckets Includes 1 set of dead pins for installation into a single bucket Always reference model lifting capacities when configuring units with attachments. Hydraulic Q/C Prov 747064 is required to power hydraulic coupler.	63 LB		\$3,549.00
	48082917	Coupler, B/C-Series Universal Mechanical Adapter, compatible with both B & C-Series buckets Always reference model lifting capacities when configuring units with attachments	85 LB		\$900.00

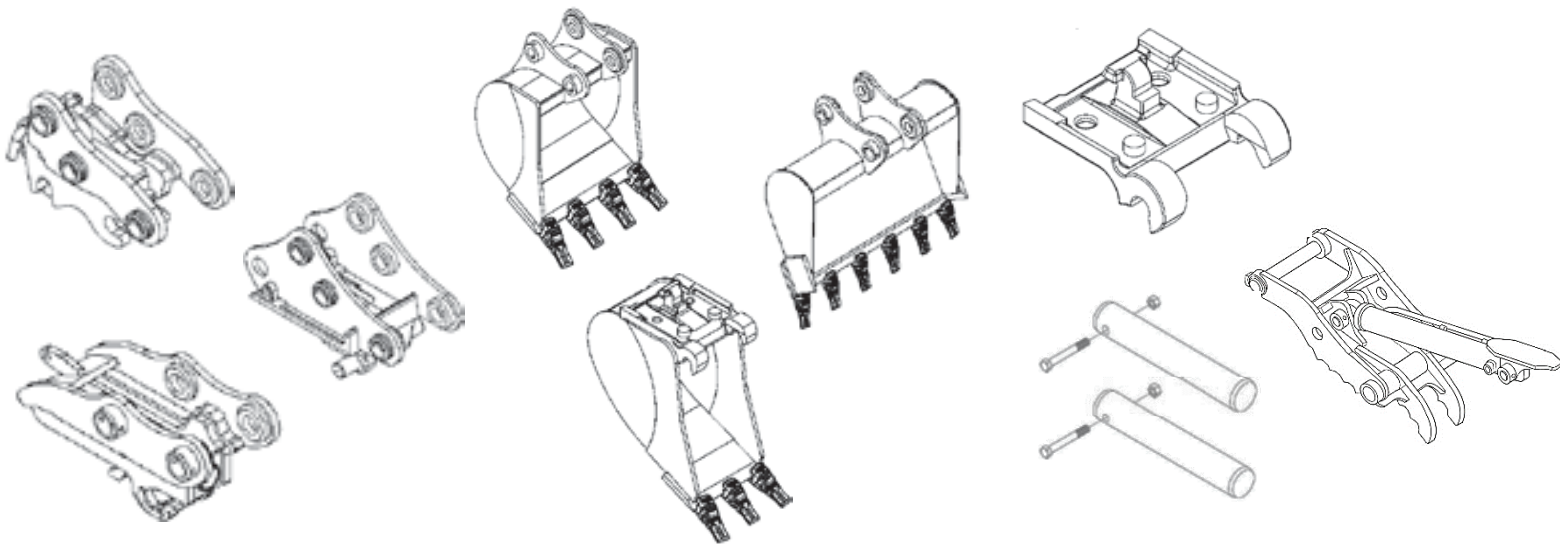
**Thumbs**

	48059650	Thumb Kit, Hyd.,Short Tines USE W/DIRECT FIT AND KLAC BUCKETS Always reference model lifting capacities when configuring units with attachments.	250 LB		\$2,678.00
	48058021	Thumb Kit, Hyd.,Long Tines USE W/MECH AND HYD PIN-GRABBER COUPLERS Always reference model lifting capacities when configuring units with attachments	250 LB		\$2,678.00

MEX DIA Kits										
Order Through Service Parts			Models						Rules	
Type	Part Number	Description	E17C	E26C	E30C	E33C	E37C	E57C	E60C	Rules
Hydraulics	48160505	Hyd Quick Coupler Provision, Inst. Instruction p/n 47899431	x							
Hydraulics	48100296	2nd Aux 2-Way Circuit, Inst. Instruction p/n 47760002		x						
Hydraulics	48160524	Hyd Quick Coupler Provision, Inst. Instruction p/n 47790740		x						
Hydraulics	48100298	2nd Aux 2-Way Circuit, Inst. Instruction p/n 47760002			x					
Hydraulics	48160531	Hyd Quick Coupler Provision, Inst. Instruction p/n 47790740			x					
Hydraulics	48100300	2nd Aux 2-Way Circuit, Inst. Instruction p/n 47760208				x				
Hydraulics	48160535	Hyd Quick Coupler Provision, Inst. Instruction p/n 47760654				x				
Hydraulics	48100302	2nd Aux 2-Way Circuit, Inst. Instruction p/n 47760208					x			
Hydraulics	51447899	Hyd Quick Coupler Provision, Inst. Instruction p/n 47790740						x		
Hydraulics	48160582	Hyd Quick Coupler Provision, Inst. Instruction p/n 47760654					x			
Hydraulics	51451974	Hyd Quick Coupler Provision, Inst. Instruction p/n 51451983							x	
Telematics	48041548	Telematics, Inst. Instruction p/n 48045133	x							
Telematics	48041549	Telematics, Inst. Instruction p/n 48179901		x	x	x	x			
Telematics	48041551	Telematics, Inst. Instruction p/n 48045137						x		
Telematics	48071951	Telematics, Inst. Instruction p/n 48173065 (S/N Range) before 0003(NH);							x	
Telematics	48105205	Telematics, Inst. Instruction p/n 48105208 (S/N Range) after 0004(NH);							x	
Operational	48120185	Additional Counterweight, Inst. Instruction p/n 48120189					x			
Operational	48118007	Travel Alarm, Inst. Instruction p/n 48178344					x			
Operational	48118003	Travel Alarm, Inst. Instruction p/n 48117996	x							
Operational	48118005	Travel Alarm, Inst. Instruction p/n 48178344		x	x					
Operational	48120194	Additional Counterweight, Inst. Instruction p/n 48120189	x							
Operational	48120193	Additional Counterweight, Inst. Instruction p/n 48120189		x						
Operational	48152809	Boom/Arm Holding Valves (Object Handling), Inst. Instruction p/n 47760691		x						Cab Only
Operational	48152810	Boom/Arm Holding Valves (Object Handling), Inst. Instruction p/n 47760691		x						Canopy Only
Operational	48120192	Additional Counterweight, Inst. Instruction p/n 48120189			x					
Operational	48153033	Boom/Arm Holding Valves (Object Handling), Inst. Instruction p/n 47760691			x					Cab Only
Operational	48153034	Boom/Arm Holding Valves (Object Handling), Inst. Instruction p/n 47760691			x					Canopy Only
Operational	48118006	Travel Alarm, Inst. Instruction p/n 48178344				x				
Operational	48120191	Additional Counterweight, Inst. Instruction p/n 48120189				x				
Operational	48153036	Boom/Arm Holding Valves (Object Handling), Inst. Instruction p/n 47760691				x				
Operational	48153043	Boom/Arm Holding Valves (Object Handling), Inst. Instruction p/n 47760691					x			Cab Only
Operational	48153044	Boom/Arm Holding Valves (Object Handling), Inst. Instruction p/n 47760691					x			Canopy Only
Operational	51502076	Kit, Bucket/Arm Cylinder Rod Covers	x							
Cab	48154618	Air Conditioning, Inst. Instruction p/n 48154615					x			Cab Only
Cab	48100303	3" Seat Belt, Inst. Instruction p/n 47992927						x	x	
Cab	48100304	3" Seat Belt, Inst. Instruction p/n 47989463	x							
Cab	51485433	Heavy Counterweight Zero Tail Swivel Kit, Inst p/n 51485436		x						



# Mini Excavator Bucket, Coupler & Thumb Guide



Category: Product Guide  
Series/Model: Mini Excavator/All  
Document: CON-10078-18  
Date: October, 2018

*Light Construction*

*This is a Sales Education Document not to be used for advertisement*

This page left intentionally blank



## Table of Contents

4	Klac Coupler/Bucket Tutorial
5	Mechanical Coupler/Bucket Tutorial
6	Hydraulic Coupler/Bucket Tutorial
7	Coupler – Breakout Loss vs. Operator Convenience
7	Coupler Style Guide
8	Pin-On/Mechanical/Hydraulic Bucket Options
9	Pin-On/Mechanical/Hydraulic Coupler Options
9	Dead Pin Kits
10	Klac Bucket Options
11	Klac Coupler & Adapter Plate Options
12	Hydraulic Thumb Options
12	Hydraulic Thumb Specs
13	Pin-On Buckets Specs
14	Klac Bucket Specs
15	Coupler Specs - All
16	Specialty Bucket Specs
17	B to C-Series Coupler/Bucket Compatibility

## C Series Compact Excavator KLAC Coupler Operation

KLAC (*pronounced Clack*) couplers provide a mechanical coupler for buckets or other attachments without the digging power loss of a pin grabber coupler.

The KLAC coupler allows operators to release the bucket using the KLAC tool, and maneuver the arm to remove the attachment.

Once the operator has lined up the pins to put the attachment on, curling the bucket will engage the Klac system, snapping into place, so the operator does not have to leave the seat a second time to secure the bucket or attachment.

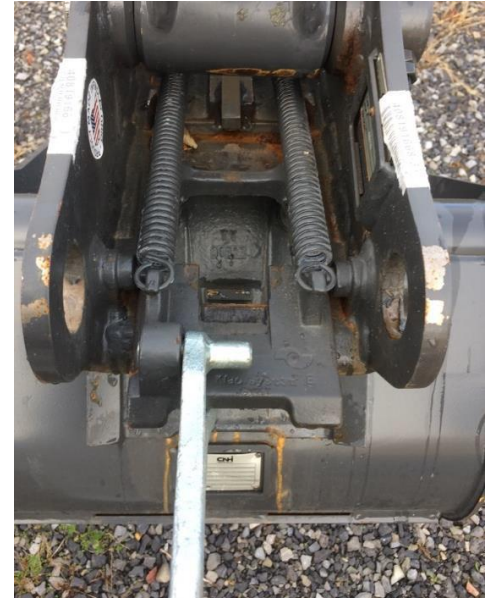
KLAC couplers only accept KLAC buckets



Unlock Tool installed



Pull downward on tool to unlock



Bucket unlocked



KLAC Unlock Tool



The coupler will stay in the unlocked position until a new bucket is attached and it will automatically lock.

After unlocking the KLAC coupler, remove the tool and store it.

*Pin grabber buckets cannot attach to a KLAC coupler.*  
A KLAC base plate can be purchased so that non KLAC buckets can be attached using the KLAC coupler.

## C Series Compact Excavator Mechanical Pin Grabber Coupler

The optional Mechanical Pin Grabber coupler allows the Quick disconnect / connect of pin-on buckets.

The coupler comes with a tool (blue arrow) to open and close the coupler.

To disconnect the bucket - roll the bucket out to the position shown to first remove the lock pin (red end).

Insert the tool in the coupler as shown and raise the tool toward the arm until the pin can be reinserted through the holes (red Arrow) holding the coupler in the unlocked position.

Once released, the operator will move the arm to maneuver the coupler out of the bucket or attachment.

Reverse the process to lock the coupler on the next bucket.



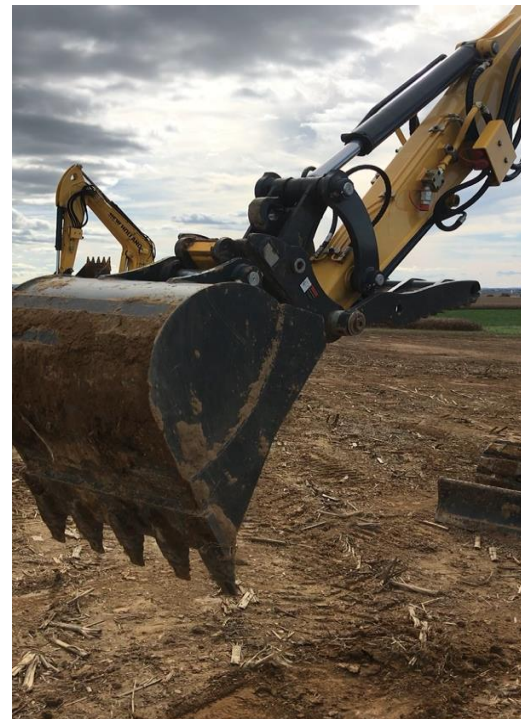
All buckets used must have a set of pins installed in the bucket. A dead pin kit for buckets is available through NH parts.

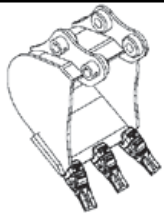
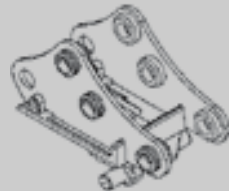


Bid Term: 2/22/19 - 2/21/21, Extended to 2/21/22, Extended to 2/21/23

## C Series Compact Excavator Hydraulic Pin Grabber Coupler

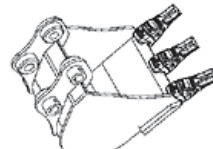
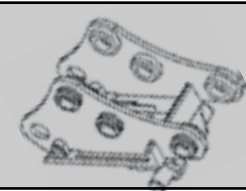


The hydraulic pin grabber allows the operator to use the hydraulic coupler switch in the cab to attach and un-attach pin grabber buckets and attachments without leaving the seat.

This option allows an operator to easily and quickly change attachments, and get back to work.



OPERATOR CONVENIENCE VS. BREAKOUT LOSS			
	Least ←	Breakout Loss	→ Greatest
Operator Convenience ↑ Least ↓ Greatest	 Direct Pin-On		
		 Klac Coupler	 Mechanical Pin Grabber
			 Hydraulic Pin Grabber

### Coupler Style Guide

		Use	Notes
Direct Pin-On		For use where bucket changes are infrequent, or where cost of labor is less impactful.	Direct Fit buckets provide the best breakout force.
Klac Coupler		For use where operator convenience and limited breakout losses are key factors.	The low profile of the Klac style coupler is designed to mitigate the loss of breakout force.
Mechanical Pin Grabber		For use where bucket (accessory) changes are frequent.	Breakout force is reduced due to increased length between hydraulic torque input and digging implement.
Hydraulic Pin Grabber		For use where bucket (accessory) changes are frequent and operator convenience is key factor.	Breakout force is reduced due to increased length between hydraulic torque input and digging implement.



**PIN-ON/MECHANICAL/HYDRAULIC BUCKETS OPTIONS**

PART NUMBER	DESCRIPTION	E17C	E26C	E30C	E33C	E37C	E57C	E60C
48057605	10" HD Bucket	x						
48057606	★ 12" HD Bucket	x						
48057607	16" HD Bucket	x						
48057608	18" HD Bucket	x						
48057611	12" HD Bucket			x				
48057612	★ 18" HD Bucket			x				
48057613	24" HD Bucket			x				
48190704	12" HD Bucket**			x				
48190705	18" HD Bucket**			x				
48190706	24" HD Bucket**			x				
48057617	12" HD Bucket					x		
48057619	★ 18" HD Bucket					x		
48057620	24" HD Bucket					x		
48057621	36" HD Bucket						x	
48057622	36" Ditch Bucket						x	
48057625	12" HD Bucket							x
48057626	18" HD Bucket							x
48057627	★ 24" HD Bucket							x
48057628	36" HD Bucket							x
48057629	36" Ditch Bucket							x
48057637	36" Cemetery Bucket							x

★ Most Popular

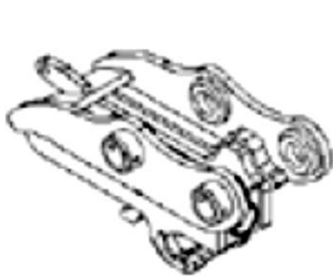
\*Higher capacity than E26C bucket Bid Term: 2/22/19 - 2/21/21; Extended to 2/21/22l EXTENDED to 2/21/23  
 + Recommended PIN ON ONLY. Do not use with coupler on E30C due to extra weight.

**PIN-ON/MECHANICAL/HYDRAULIC COUPLERS**

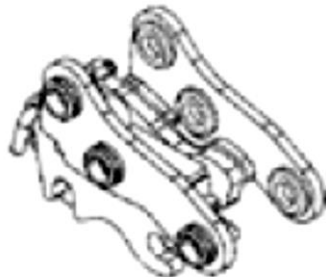
PART NUMBER	DESCRIPTION	E17C	E26C	E30C	E33C	E37C	E57C	E60C
48057609	Coupler, Mech	x						
48057615 ★	Coupler, Mech		x					
48057623 ★	Coupler, Mech				x			
48057630 ★	Coupler, Mech						x	
48094307	Coupler, Hyd		x					
48058013	Coupler, Hyd				x			
48058014	Coupler, Hyd						x	
48082917	Coupler, B/C Universal						x	

**DEAD PIN KITS**

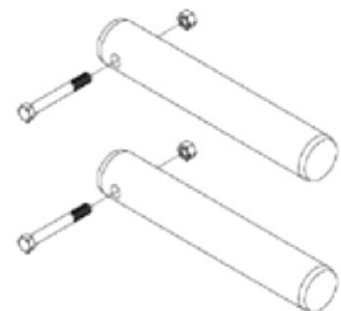
PART NUMBER	DESCRIPTION	E17C	E26C	E30C	E33C	E37C	E57C	E60C
48057610	Kit, Dead Pin	x						
47457879	Kit, Dead Pin		x					
48057624	Kit, Dead Pin				x			
48057631	Kit, Dead Pin						x	



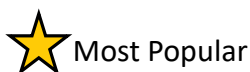
**Hydraulic Pin Grabber**



**Mechanical Pin Grabber**



**Dead Pin Kit**

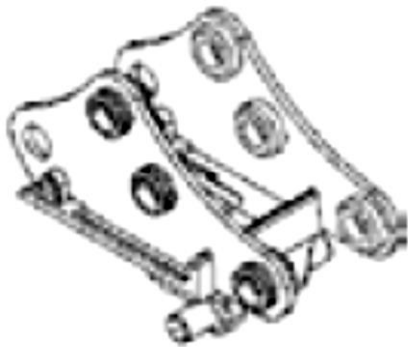




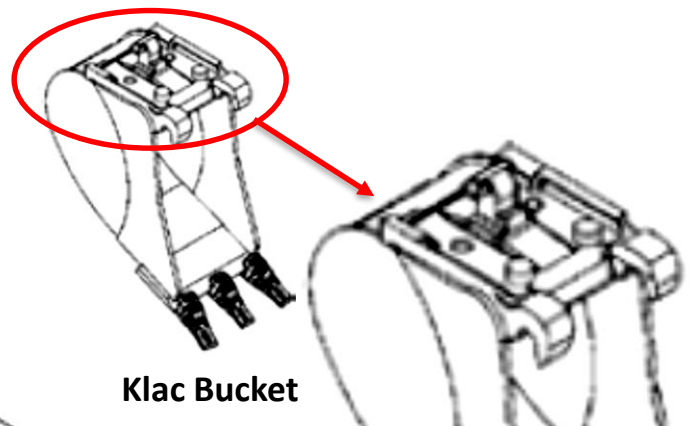
KLAC BUCKETS OPTIONS								
PART NUMBER	DECRPTION	E17C	E26C	E30C	E33C	E37C	E57C	E60C
47422586	10" HD Bucket	x						
47422587	★ 12" HD Bucket	x						
47422588	16" HD Bucket	x						
47422589	18" HD Bucket	x						
48094116	12" HD Bucket			x				
48094117	★ 18" HD Bucket			x				
48094118	24" HD Bucket			x				
47422654	12" HD Bucket					x		
47422655	★ 18" HD Bucket					x		
47422656	24" HD Bucket					x		
47422657	36" HD Bucket						x	
47422658	★ 36" Ditch Bucket						x	
47422702	12" HD Bucket							x
47422703	18" HD Bucket							x
47422704	★ 24" HD Bucket							x
47422705	36" HD Bucket							x
47422658	36" Ditch Bucket							x
47872281	36" Cemetery Bucket							x



KLAC COUPLERS, ADAPTER PLATES								
PART NUMBER	DESCRIPTION	E17C	E26C	E30C	E33C	E37C	E57C	E60C
47422602	Adapter, KLAC	x						
48057632	Coupler, KLAC	x						
47422632	Adapter, KLAC		x					
48057633	Coupler, KLAC		x					
47422660	Adapter, KLAC				x			
48057634	Coupler, KLAC				x			
47422660	Adapter, KLAC						x	
48057636	Coupler, KLAC						x	

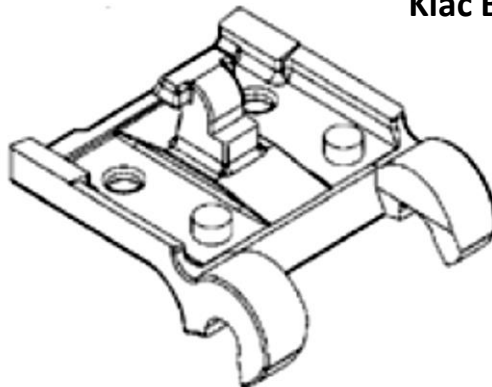


**Klac Coupler**



**Klac Bucket**

**Klac Bucket Segment view**



**Klac Adapter Plate**

**\*\*Use to convert other (non-Klac) buckets for Klac coupler\*\***



## HYDRAULIC THUMBS OPTIONS

PART NUMBER	DESCRIPTION	E17C	E26C	E30C	E33C	E37C	E57C	E60C
<b>Hydraulic Coupler Only</b>								
48094114	Thumb, Long	N/A	x	x				
<b>Mechanical/Hydraulic Coupler</b>								
48058020	Thumb, Long	N/A			x			
48058021	Thumb, Long	N/A					x	
<b>Direct Fit/Mechanical/Klac Coupler</b>								
48058019	Thumb, Short	N/A	x	x				
<b>Direct Fit/Klac Coupler</b>								
48059646	Thumb, Short	N/A			x			
48059650	Thumb, Short	N/A					x	

## HYDRAULIC THUMB SPECS

Style	Part No.	Weight lbs. (kg)	Application Notes
<b>E26C</b>			
Short Thumb	48058019	121 (55)	For use with direct fit, Klac, or mechanical couplers.
Long Thumb	48094114	132 (60)	For use with hydraulic coupler. Longer tines needed to make up for the distance added by hydraulic pin grabber
<b>E30C</b>			
Short Thumb	48058019	121 (55)	For use with Klac or mechanical couplers.
Long Thumb	48094114	132 (60)	For use with direct fit or hydraulic coupler.
<b>E33C &amp; E37C</b>			
Short Thumb	48059646	134 (61)	For use with Klac coupler and direct fit buckets. Short tine length necessary to match tine tip to bucket edge.
Long Thumb	48058020	150 (68)	For use with hydraulic and mechanical pin grabber couplers. Longer tines are needed to make up for the distance added by the pin grabber couplers.
<b>E57C &amp; E60C</b>			
Short Thumb	48059650	154 (70)	For use with Klac coupler and direct fit buckets. Short tine length necessary to match tine tip to bucket edge.
Long Thumb	48058021	185 (84)	For use with hydraulic and mechanical pin grabber couplers. Longer tines are needed to make up for the distance added by the pin grabber couplers.



**PIN-ON BUCKETS SPECS**

Part No.	Width in (mm)	Cut in (mm)	Rated ft <sup>3</sup> (liter)	No. of Teeth	Weight lbs. (kg)
<b>E17C (1-position)</b>					
48057605	10 (254)	11 (279)	.87 (25)	3	79 (36)
48057606	12 (305)	13 (330)	1.0 (28)	3	86 (39)
48057607	16 (406)	17 (432)	1.3 (37)	3	97 (44)
48057608	18 (457)	19 (483)	1.5 (42)	4	106 (48)
<b>E26C &amp; E30C (1-position)</b>					
48057611	12 (305)	13 (330)	1.3 (37)	3	121 (55)
48057612	18 (457)	19 (483)	2.0 (57)	4	154 (70)
48057613	24 (610)	25 (635)	2.7 (76)	5	185 (84)
<b>E30C (1-position – high capacity)</b>					
48190704	12 (305)	13 (330)	2.1 (59)	3	161 (73)
48190705	18 (457)	19 (483)	3.2 (91)	4	189 (86)
48190706	24 (610)	25 (635)	4.3 (119)	5	249 (113)
<b>E33C &amp; E37C (1-position)</b>					
48057617	12 (305)	13 (330)	2.2 (62)	3	161 (73)
48057619	18 (457)	19 (483)	3.2 (91)	4	205 (93)
48057620	24 (610)	25 (635)	4.2 (119)	5	247 (112)
48057621	36 (914)	37 (940)	6.4 (181)	6	331 (150)
<b>E57C &amp; E60C (1-position)</b>					
48057625	12 (305)	13 (330)	3.0 (85)	3	190 (86)
48057626	18 (457)	19 (483)	4.5 (127)	4	240 (109)
48057627	24 (610)	25 (635)	6.3 (178)	5	291 (132)
48057628	36 (914)	37 (940)	9.8 (278)	6	388 (176)

Refer to operator's manual for bucket application restrictions.

Bid Term: 2/22/19 - 2/21/21; Extended to 2/21/22l EXTended to 2/21/23

**KLAC BUCKETS SPECS**

Part No.	Width in (mm)	Cut in (mm)	Rated ft <sup>3</sup> (liter)	No. of Teeth	Weight lbs. (kg)
<b>E17C</b>					
47422586	10 (254)	11 (279)	.87 (25)	3	88 (40)
47422587	12 (305)	13 (330)	1.0 (28)	3	95 (43)
47422588	16 (406)	17 (432)	1.5 (42)	3	106 (48)
47422589	18 (457)	19 (483)	1.8 (51)	4	117 (53)
<b>E26C &amp; E30C</b>					
48094116	12 (305)	13 (330)	1.4 (39)	3	143 (65)
48094117	18 (457)	19 (483)	2.1 (58)	4	176 (80)
48094118	24 (610)	25 (635)	2.8 (78)	5	209 (95)
<b>E33C &amp; E37C</b>					
47422654	12 (305)	13 (330)	2.2 (62)	3	179 (81)
47422655	18 (457)	19 (483)	3.2 (91)	4	223 (101)
47422656	24 (610)	25 (635)	4.2 (119)	5	267 (121)
47422657	36 (914)	37 (940)	6.4 (181)	6	348 (158)
<b>E57C &amp; E60C</b>					
47422702	12 (305)	13 (330)	3.0 (85)	3	220 (100)
47422703	18 (457)	19 (483)	3.6 (102)	4	256 (116)
47422704	24 (610)	25 (635)	5.0 (142)	5	309 (140)
47422705	36 (914)	37 (940)	7.8 (221)	6	408 (185)

**COUPLER SPECS**

Style	Part No.	Weight lbs. (kg)	Application Notes
<b>E17C</b>			
Mechanical	48057609	65 (29)	1-postion mount. Use with C-series pin-on buckets only.
Klac	48057632	30 (14)	1-postion mount. Use with Klac buckets only.
<b>E26C &amp; E30C</b>			
Mechanical	48057615	95 (43)	1-postion mount. Use with C-series pin-on buckets only.
Hydraulic	48094307	95 (43)	1-postion mount. (Requires QC aux kit. Use with B-series and C-series pin-on buckets. Requires removal of spacer plates on coupler to fit B-series buckets.) Pin spacing range: 6.53"-8.66" (166mm-220mm) Pin diameter: 35mm
Klac	48057633	60 (27)	1-postion mount. Use with Klac buckets only.
<b>E33C &amp; E37C</b>			
Mechanical	48057623	97 (44)	1-postion mount. Use with B-series and C-series pin-on buckets.
Hydraulic	48058013	115 (52)	1-postion mount. (Requires QC aux kit. Use with B-series and C-series pin-on buckets.) Pin spacing range: 6.69" - 8.78" (170mm-223mm) Pin diameter: 40mm
Klac	48057634	115 (52)	1-postion mount. Use with Klac buckets only.
<b>E57C &amp; E60C</b>			
Mechanical	48057630	165 (75)	1-postion mount. Use with C-series pin-on buckets only.
Bucket Adapter (Mechanical)	48082917	160 (73)	1-postion mount. (Use for mounting B-Series and C-series pin-on buckets to C-Series.) Pin spacing – 8.98" (228mm) or 11.22" (285mm). Pin diameter – 45mm
Hydraulic	48058014	154 (70)	1-postion mount. (Requires QC aux kit. Use with C-series pin-on buckets only.) Pin spacing range – 10.28"-11.65" (261mm-296mm) Pin diameter – 45mm
Klac	48057636	110 (50)	1-postion mount. Use with Klac buckets only.



**SPECIALITY BUCKETS SPECS**

Part No.	Width in (mm)	Cut in (mm)	Rated ft <sup>3</sup> (liter)	No. of Teeth	Weight lbs. (kg)	Bolt-On Edge (Not Included)
<b>E33C &amp; E37C</b>						
<b>Ditch Cleaning Buckets - Pin-On</b>						
48057622	36 (914)	37 (940)	6.6 (187)	–	233 (106)	47848358
<b>E33C &amp; E37C</b>						
<b>Ditch Cleaning Buckets - Klac</b>						
47422658	36 (914)	37 (940)	6.6 (187)	–	315 (143)	47848358
<b>E57C &amp; E60C</b>						
<b>Ditch Cleaning Buckets – Pin-On</b>						
48057629	36 (914)	37 (940)	6.6 (187)	–	238 (108)	47848358
<b>E57C &amp; E60C</b>						
<b>Ditch Cleaning Buckets - Klac</b>						
47422658	36 (914)	37 (940)	6.6 (187)	–	315 (143)	47848358
<b>E57C &amp; E60C</b>						
<b>Cemetery Buckets – Pin-On</b>						
48057637	36 (914)	37 (940)	3.5 (99)	6	269 (122)	N/A
<b>E57C &amp; E60C</b>						
<b>Cemetery Buckets – Klac</b>						
47872281	36 (914)	37 (940)	3.5 (99)	6	310 (141)	N/A



<b>C-SERIES MINI EXCAVATOR COUPLER/BUCKET COMPATIBILITY</b>				
MODEL	PART NO.	DESCRIPTION	B- SERIES BUCKETS	C-SERIES BUCKETS
<b>E17C</b>	48057609	Coupler, Mechanical Pin-Grabber	No	Yes
<b>E26C/E30C</b>	48057615	Coupler, Mechanical Pin-Grabber	No	Yes
	48094307	Coupler, Hydraulic Pin-Grabber	Yes (requires removal of spacer plates)	Yes
<b>E33C/E37C</b>	48057623	Coupler, Mechanical Pin-Grabber	Yes	Yes
	48058013	Coupler, Hydraulic Pin-Grabber	Yes	Yes
<b>E57C/E60C</b>	48057630	Coupler, Mechanical Pin-Grabber	No	Yes
	48058014	Coupler, Hydraulic Pin-Grabber	No	Yes
	48082917	Universal Mechanical Coupler Adaptor to connect B Series bucket to C Series Machine	Yes	Yes

Average Lead-Times		
Unit/Attachment	Order to Port	Port to Dealer
Italy	50-70 days	15-20 days
Korea	50-70 days	15-20 days
Buckets, Couplers & Thumbs	30 days (average) / 60 day (promise)	

\*Subject to change without notice. Based on availability of parts.

- Units shipping from Korea will take longer in-transit to East Coast ports. Units shipping from Italy will take longer in-transit to West Coast ports.

Attachment Quick Ship Rules
1-2 units – Depending upon inventory, first come, first served rule applies. - If only 1 available, 1 unit will ship, an order will be placed for 2 <sup>nd</sup> unit with normal factory lead time FIFO schedule.
If 3 or more of same PN are ordered, the order will be treated as a stocking order - normal lead times FIFO in factory apply. - Exception is if inventory can be immediately backfilled < 1 week.

Learn more at [www.newholland.com](http://www.newholland.com)



Design, materials and/or specifications are subject to change without notice and without liability therefor. Specifications are applicable to units sold in Canada, the United States, its territories and possessions, and may vary outside these areas.

© 2018 CNH Industrial N.V. All rights reserved. New Holland is a trademark in the United States and many other countries, owned by or licensed to CNH Industrial N.V., its subsidiaries or affiliates. Any trademarks referred to herein, in association with goods and/or services of companies other than CNH America LLC, are the property of those respective companies.



Safety begins with a thorough understanding of the equipment. Always make sure you and your operators read the Operator's Manual before using the equipment.

Pay close attention to all safety and operating decals and never operate machinery without all shields, protective devices and structures in place.